

Ø 6 - 80 mm

Bar loading magazines



Mobile control panel with integrated magnetic holders for flexible attachment in the operator's working environment.



Continuous „V-Channel“ for the efficient feeding of short bar sections.



Small footprint, since only the upper section of the loading magazine is displaced.

SL 80 V

Storage system: „Single bar feed“

The FMB SL 80 V is a short bar loader that has been designed for the flexible processing of round material and a wide range of different profile materials in bar lengths between 1,100 and 1,400 mm. The SL line impresses with its modern design and numerous innovative solution details. In order to meet customer-specific production conditions in the best possible way, the SL 80 V has been given a modular design, providing a choice between different material storage systems.

Storage system „Single bar feed“...

- Ideal for the production of very small series with frequently changing material diameters profile shapes
- Short lateral material storage for storing individual bars
- Compact design with small footprint

Simple and convenient - the ERGOlogic control...

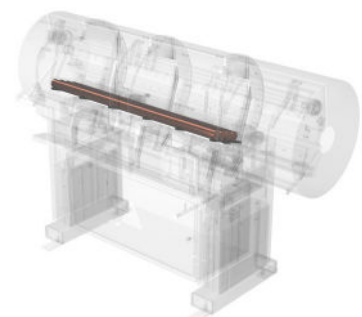
- Modern touch operation with generously sized 8.4" screen makes an intuitive operating concept possible for a faster learning phase
- Integrated assistant function for guided set up inexperienced users

Efficient feeding - the „V-Channel“...

- Servo-electric adjustment of the „V-Channel geometry“ for adaption to the diameter or profile shape selected
- Free choice of bar centre, also for off centre feeding and for the precise angular feeding of profile material

Short retooling time...

- Good accessibility through integrated longitudinal displacement system and wide opening of the machine panelling
- Fast access and simple replacement of the pushers through integrated quick-change-system



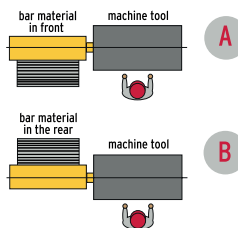
SL 80 V

Storage system: „Single bar feed“

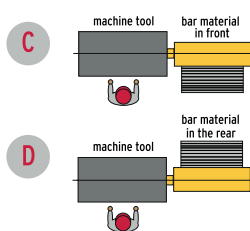
Technical data

Loading options

Feeding from left



Feeding from right



	Unit	SL 80 V	
Spindle -Ø (max.)	mm	80	
Bar length ¹⁾	mm	1100	1400
Bar-Ø (min.-max.)	mm	6 - 80	
Storage system	-	Single bar feed	
Loading capacity	mm	140	
Loading capacity	St.	23 bei 6 mm/ 1 bei 80 mm	
Loading time (approx.) ²⁾	s	15	16
Feed speed	mm/s	0 - 1500	
Operation voltage (50/60 Hz)	V	3x 190 - 480 ³⁾	
Power requirement	kW	2	
Compressed air connection	Mpa (bar)	not required	
Weight	kg	420	520
Available pusher-diameter	mm	5 ⁴⁾ , 8, 12, 20	

¹⁾ Bar length must not exceed spindle length

²⁾ With selection of remnant piece ejection by following material bar

³⁾ Is set on delivery according to lathe specifications

⁴⁾ Turning process may only be possible after complete pusher retraction

